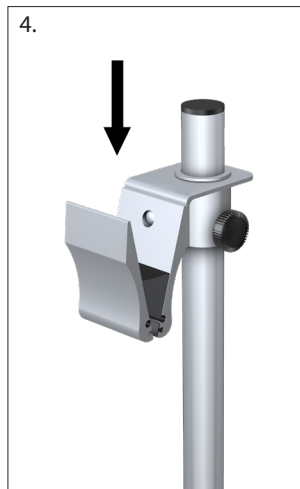
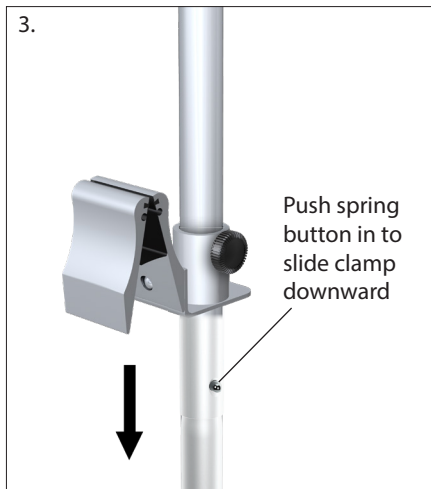
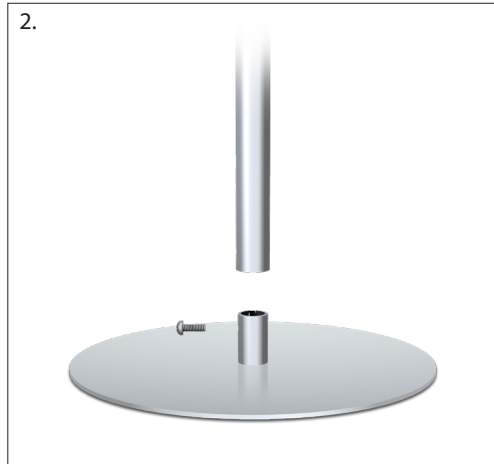
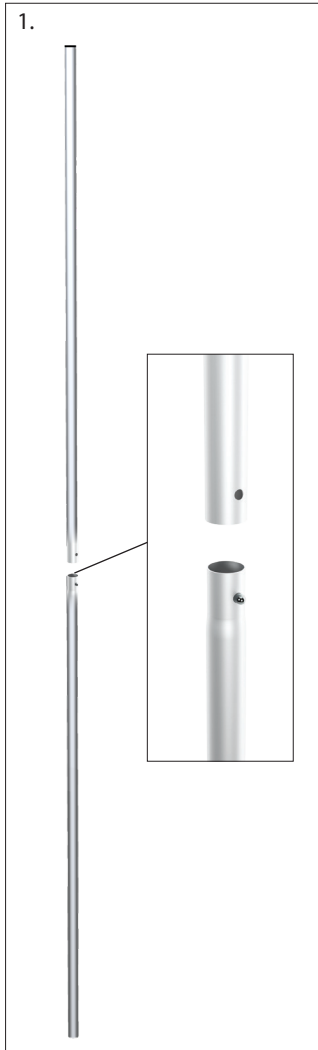


Contemporary Clamp Stand™ - VCST Series

1. Connect the upright sections together using the spring button as shown below.
2. Attach upright to base using screw provided.
3. Slide bottom clamp holder onto the upright and tighten knob to secure. Press the spring button inward, when sliding the clamp below the spring button.
4. Slide top clamp holder onto the upright and tighten knob to secure.
5. Visually check to ensure clamps are aligned vertically, adjust if needed (not shown).
6. Open clamps to insert graphic (not shown).



VCST1



VCST2